

Fixture Type:

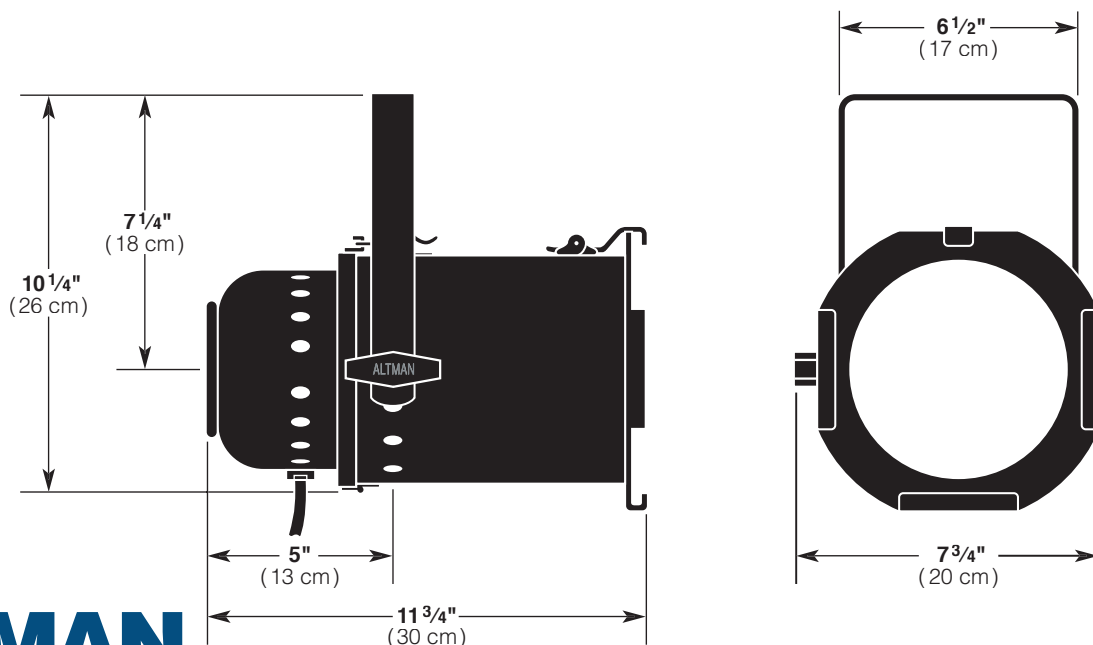
The PAR46 is a low cost, versatile luminaire designed for diverse applications. Intensities and beam spreads are a function of the lamp selected for use in the fixture. One unit can serve multiple purposes simply by changing the lamp. The smaller size of the PAR46 is ideal for use in concerts, nightclubs, television, film remotes and architectural applications where maximum flexibility is desired in a small, compact package.

Specifications subject to change without notice

**200 WATT
PAR46
Spotlight/Floodlight**

Features

- Rugged sheet steel construction
- Hinged rear cover for easy lamp access
- 360° lamp rotation
- Spring loaded accessory holder safety latch
- Medium side prong socket
- Three 36" Teflon lead wires
- Up to 25 feet Hi-Temp rubber cable optional
- Color frame and safety cable with spring clip included
- U.L. and c.U.L. listed for 200 watts
- Made in the USA



Specifications

Housing: Sheet steel construction.

Materials: Construction employs all corrosion-resistant materials and hardware.

Yoke: Rigid flat steel.

Socket: Medium end prong, tool free relamping.

Rating: 120 volts AC/DC operation, 1.7 amps, 200 watts maximum.

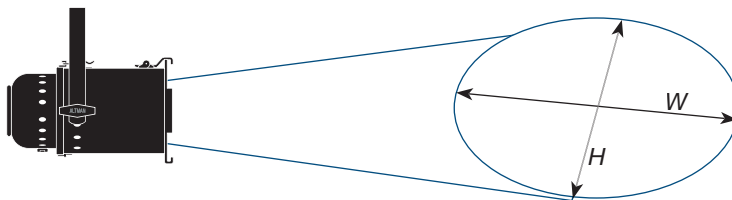
Cable: 36" Teflon leads encased in black fiberglass sleeving. Hi-Temp rubber cable optional, up to 25'.

Focusing: Lamp can be rotated 360°.

Accessories: Accepts standard 6 1/4" accessories.

Finish: Black epoxy sandtex, electrostatic application.

Weight: Approx; 7 lbs. (3.15 kg.)



ACCESSORIES Supplied with Luminaire	
4.5-CF SC-36-BK	Color Frame, 6 1/4" x 6 1/4" Safety Cable with Spring Clip

ADDITIONAL ACCESSORIES	
510 4.5-SN 404-4.5	Malleable Iron Pipe Clamp Snoot Motorized Color Wheel

LAMP DATA

Watts	Manufacturer Lamp Code	Color Temp (°K)	Rated Life (Hours)	Beam Shape	Candlepower (Candela)	Field Angle Degrees
150	150 Par46/3MFL	2800	2000	MFL	8,000	25 x 39
200	200 PAR46/3NSP	2800	2000	NSP	32,500	17 x 23
200	200 PAR46/3MFL	2800	2000	MFL	11,200	20 x 40
200	200 PAR46/3VWFL	2800	2000	VWFL	1,550	63 x 65

PAR46 PERFORMANCE CHART

Distance	5'			10'			15'			20'			25'		
	Center Beam F.C.	H	W	Center Beam F.C.	H	W	Center Beam F.C.	H	W	Center Beam F.C.	H	W	Center Beam F.C.	H	W
Lamp															
150 Par46/3MFL	320	2.2	3.5	80	4.4	7.1	36	6.7	10.6	20	8.9	14.2	13	11.1	17.7
200 PAR46/3NSP	1,300	1.5	2.0	325	3.0	4.0	144	4.5	6.0	81	6.0	8.0	52	7.5	10.0
200 PAR46/3MFL	448	1.8	3.6	112	3.6	7.3	50	5.3	10.9	28	7.0	14.6	18	8.8	18.2
200 PAR46/3VWFL	62	6.1	6.4	16	12.2	12.7	7	18.4	19.1	—	—	—	—	—	—