

Fixture Type:

Altman PARs are low-cost, highly flexible luminaires designed for diverse applications. Intensities and beam spread are a function of the installed light source, so any one unit can serve multiple purposes simply by changing the lamp type.

The smaller size of the PAR56 reduces installation hassles, while the PAR64's optional PAR56/64 adapter ring gives the fixture great versatility. With oval beams and lamp ranges from 300 to 500 watts for the PAR56 and 300 to 1000 watts for the PAR64, these lights are ideal for use in concerts, nightclubs, television and film remotes and architectural applications where maximum flexibility is desired in a small, compact package.

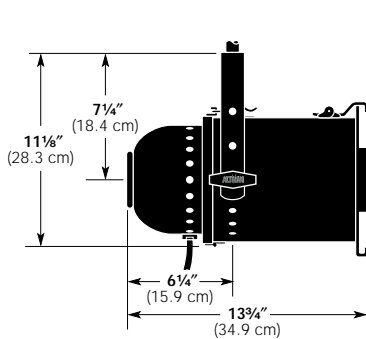
The PAR64-AL is a PAR64 unit constructed from .050-gauge rolled aircraft aluminum to minimize weight without sacrificing durability.

Specifications subject to change without notice.

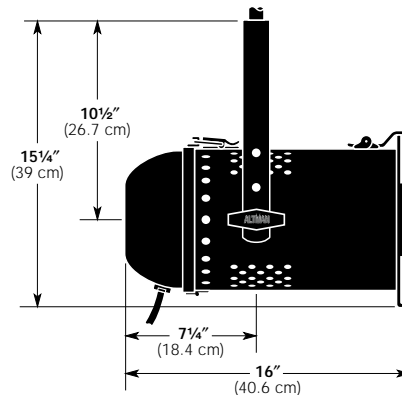
300- TO 500-WATT PAR56 AND 300- TO 1000-WATT PAR64 AND PAR64-AL SPOT/FLOOD LIGHTS

Features

- Constructed of rugged sheet steel (PAR56, PAR64) or rolled aircraft aluminum (PAR64-AL)
- 360° lamp rotation
- Hinged rear cover for easy lamp access
- Spring-loaded accessory holder safety latch
- Mogul-end prong socket
- Three-position yoke adjustment
- Three 36" Teflon® lead wires
- Up to 25' Hi-Temp rubber cable optional
- Color frame, wire mesh safety screen, and safety cable with spring clip included
- U.L.- and c.U.L.-listed for 500 watts (PAR56) or 1000 watts (PAR64 and PAR64-AL)
- Made in the U.S.A.



PAR56



PAR64 • PAR64-AL

300- TO 500-WATT PAR56 AND 300- TO 1000-WATT PAR64 AND PAR64-AL

Specifications

Housing: Spun, rolled, and stamped steel (PAR56, PAR64) or aluminum (PAR64-AL).

Materials: Corrosion-resistant materials and hardware.

Yoke: Rigid flat steel for PAR56 and PAR64, Rigid flat aluminum for PAR64-AL.

Socket: Mogul-end prong, tool free relamping.

Rating: 120/240 volts AC/DC: 4.2/2.1 amps, 500 watts maximum for PAR56; 8.3/4.2 amps, 1000 watts maximum for PAR64, PAR64-AL.

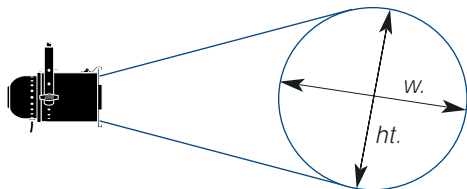
Cable: 36" Teflon® leads encased in black fiberglass sleeving; up to 25' Hi-Temp rubber cable optional.

Focusing: Lamp can be rotated 360°.

Accessories: Standard 7½"×7½" accessories for PAR56; 10"×10" accessories for PAR64, PAR64-AL. Wire mesh safety screen included for PAR56, PAR65, and PAR56-AL.

Finish: Black epoxy Sandtex, electrostatic application (PAR56, PAR64) or brushed aluminum finish outside, flat baked black enamel inside (PAR64-AL).

Weight: Approx. 9 lbs. (4.1 Kg) for PAR56; approx. 11 lbs. (5.0 Kg) for PAR64; approx. 8 lbs. (3.6 Kg) for PAR64-AL.



ACCESSORIES SUPPLIED WITH LUMINAIRE	
6-CF	Color Frame, 7½"×7½" (PAR56)
8-CF	Color Frame, 10"×10" (PAR64, PAR64-AL)
SC-36-BK	Safety Cable with Spring Clip

ADDITIONAL ACCESSORIES FOR PAR56	
510	Malleable Iron Pipe Clamp
6-BD-4	4-Way Barn Door
6-SN	Snoot
404-6	Motorized Color Wheel

SPOT/FLOOD LIGHTS

Catalog
Numbers
PAR56
PAR64
PAR64-AL

ADDITIONAL ACCESSORIES FOR PAR64 AND PAR64-AL	
510	Malleable Iron Pipe Clamp
8-BD-4	4-Way Barn Door
8-SN	Snoot
404-8	Motorized Color Wheel
PAR-56/64-AR	Adapter Ring

LAMP INFORMATION

	ANSI watts	ANSI code	manufacturer lamp code	color temp. (°K)	rated life (hrs)	rated lumens	beam shape	candlepower (cd)	beam angle	field angle
500	--	Q500	PAR56/NSP	3000	4000	4,900	NSP	96,000	8°×13°	15°×32°
500	--	Q500	PAR56/MFL	3000	4000	5,700	MFL	43,000	10°×26°	20°×42°
500	--	Q500	PAR56/WFL	3000	4000	5,725	WFL	19,000	20°×44°	34°×66°
300	--	300	PAR56/NSP	2800	2000	1,800	NSP	70,000	8°×10°	15°×20°
300	--	300	PAR56/MFL	2800	2000	2,000	MFL	24,000	11°×23°	20°×35°
300	--	300	PAR56/WFL	2800	2000	2,100	WFL	10,000	18°×37°	30°×60°
1000	FFN	Q1000	PAR64/1	3200	600	11,000	VNSP	400,000	6°×12°	10°×24°
1000	FFP	Q1000	PAR64/2	3200	600	12,000	NSP	330,000	7°×14°	14°×26°
1000	FFR	Q1000	PAR64/5	3200	600	14,000	MFL	125,000	12°×28°	21°×44°
1000	FFS	Q1000	PAR64/6	3200	600	19,000	WFL	40,000	24°×48°	45°×71°
1000	--	Q1000	PAR64/NSP	3000	4000	8,500	NSP	180,000	8°×15°	14°×31°
1000	--	Q1000	PAR64/MFL	3000	4000	10,000	MFL	80,000	12°×28°	22°×45°
1000	--	Q1000	PAR64/WFL	3000	4000	13,500	WFL	33,000	24°×48°	45°×72°
500	--	500	PAR64/NSP	2800	2000	3,000	NSP	110,000	7°×12°	13°×20°
500	--	500	PAR64/MFL	2800	2000	3,400	MFL	35,000	11°×13°	20°×35°
500	--	500	PAR64/WFL	2800	2000	3,500	WFL	12,000	20°×42°	35°×65°

PHOTOMETRIC DATA FOR PAR56 AND PAR64/PAR64-AL

distance	10'			20'			30'			40'			50'			60'		
	center beam fc	ht. (°)	w. (°)	center beam fc	ht. (°)	w. (°)	center beam fc	ht. (°)	w. (°)	center beam fc	ht. (°)	w. (°)	center beam fc	ht. (°)	w. (°)	center beam fc	ht. (°)	w. (°)
Q500 PAR56/NSP	960	2.6	5.7	240	5.3	11.5	107	7.9	17.2	60	10.5	22.9	38	13.2	28.7	--	--	--
Q500 PAR56/MFL	430	3.5	7.7	108	7.1	15.4	48	10.6	23.0	27	14.1	30.7	17	17.6	38.4	--	--	--
Q500 PAR56/WFL	190	6.1	13.0	48	12.2	26.0	21	18.3	39.0	12	24.5	52.0	8	30.6	65.0	--	--	--
300 PAR56/NSP	700	2.6	3.5	175	5.3	7.1	78	7.9	10.6	44	10.5	14.1	--	--	--	--	--	--
300 PAR56/MFL	240	3.5	6.3	60	7.1	12.6	27	10.6	18.9	15	14.1	25.2	--	--	--	--	--	--
300 PAR56/WFL	100	5.4	11.5	25	10.7	23.1	11	16.1	34.6	6	21.4	46.2	--	--	--	--	--	--
Q1000 PAR64/1	4,000	1.8	4.3	1,000	3.5	8.5	445	5.3	12.8	250	7.0	17.0	160	8.8	21.3	111	10.5	25.5
Q1000 PAR64/2	3,300	2.5	4.6	825	4.9	9.2	367	7.4	13.9	206	9.8	18.5	132	12.3	23.1	92	14.8	27.7
Q1000 PAR64/5	1,250	3.7	8.0	313	7.4	16.2	139	11.1	24.3	78	14.8	32.3	50	18.5	40.4	35	22.2	48.5
Q1000 PAR64/6	400	8.3	14.3	100	16.6	28.5	44	24.9	42.8	25	33.1	57.0	16	41.4	71.3	11	49.7	85.6
Q1000 PAR64/NSP	1,800	2.5	5.5	450	4.9	11.1	200	7.4	16.6	113	9.8	22.8	72	12.3	27.7	--	--	--
Q1000 PAR64/MFL	800	3.9	8.3	200	7.8	16.6	89	11.7	24.9	50	15.6	33.1	32	19.4	41.4	--	--	--
Q1000 PAR64/WFL	330	8.3	14.5	83	16.6	29.1	37	24.9	43.6	21	33.1	58.1	13	41.4	72.7	--	--	--
500 PAR64/NSP	1,100	2.3	3.5	275	4.6	7.1	122	6.8	10.6	69	9.1	14.1	44	11.4	17.6	--	--	--
500 PAR64/MFL	350	3.5	6.3	88	7.1	12.6	39	10.6	18.9	22	14.1	25.2	14	17.6	31.5	--	--	--
500 PAR64/WFL	120	6.3	12.7	30	12.6	25.5	13	18.9	38.2	8	25.2	51.0	5	31.5	63.7	--	--	--